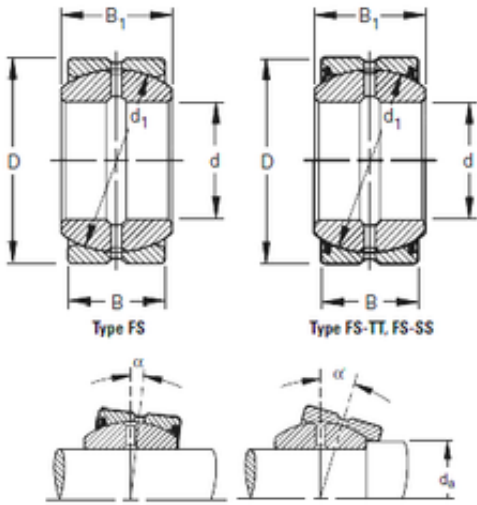




# BEARING USA CORP.



## Timken 220FS320 sliding bearing

Bearing No. 220FS320

Size	220x320x100 mm
Bore Diameter	220 mm
Outer Diameter	320 mm
Width	100 mm
d	220 mm
D	320 mm
B1	135 mm
C	100 mm
d1	286 mm

220FS320 Bearing 2D drawings and 3D CAD models