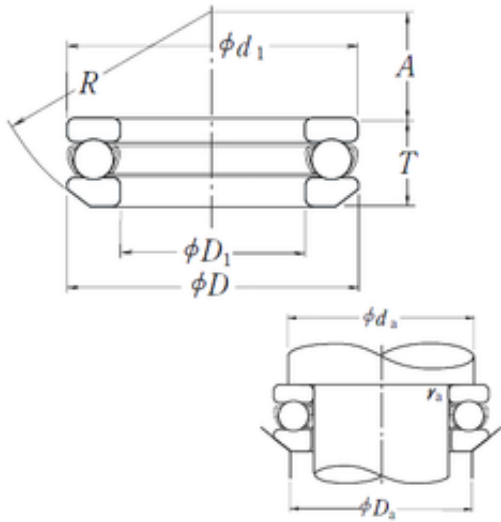




BEARING USA CORP.



NSK 53224 Ball bearing

Bearing No. 53224

Size	120x170x40.8 mm
Bore Diameter	120 mm
Outer Diameter	170 mm
Width	40,8 mm
d	120 mm
D	170 mm
T	40,8 mm
d1	170 mm
r min.	1,1 mm
A	61 mm
D1	123 mm
R	125 mm
da min.	150 mm
Da max.	140 mm
ra max.	1 mm
Weight	2,94 Kg
Basic dynamic load rating (C)	141 kN
Basic static load rating (C0)	430 kN
(Grease) Lubrication Speed	1200 r/min
Category	Thrust Ball Bearing
Inventory	0.0
Manufacturer Name	NSK
Minimum Buy Quantity	N/A
Weight / Kilogram	3.46
Product Group	B00308
Rolling Element	Ball Bearing

53224 Bearing 2D drawings and 3D CAD models



BEARING USA CORP.

Thrust Bearing	Yes
Single or Double Direction	Single Direction
Banded	No
Cage Material	Steel
Precision Class	Non-Precision
Component Description	Roller Assembly Plus Raceways
Other Features	Single Row With Aligning Seat
Long Description	120MM Bore 1; 123MM Bore 2; 170MM Outside Diameter; 40.8MM Height; Ball Bearing; Single Direction; Not Banded; Steel Cage; Non-Precision
Inch - Metric	Metric
Category	Thrust Ball Bearings
UNSPSC	31171552
Harmonized Tariff Code	8482.10.50.08
Noun	Bearing
Keyword String	Ball Thrust
Manufacturer URL	http://www.nskamericas.com
Weight / LBS	6.48159
Outside Diameter	6.693 Inch 170 Millimeter
Height	1.606 Inch 40.8 Millimeter
Overall Height with Aligning Washer	0 Inch 0 Millimeter
Bore 2	4.843 Inch 123 Millimeter
Bore 1	4.724 Inch 120 Millimeter
SRI	9.4
hidYobi	53224
LangID	1
D_	170
SREX	0.065



BEARING USA CORP.

C	141
B_	40.8
hidTable	ecat_NSSDTB
Oil rpm	1800
SRE	9.4
mass	2.94
GRS rpm	1200
ra	1
SRIX	0.065
D_a	140
SRIN	0
C0	430
SREN	0
D_1	123
Prod_Type3	TB_SD_WAS
da	150
DA_	17.462
Z_	23
yobi	53224
A_	61
T3	40.8
SDM_	145
r	1.1
KBRG	5121
R_	125