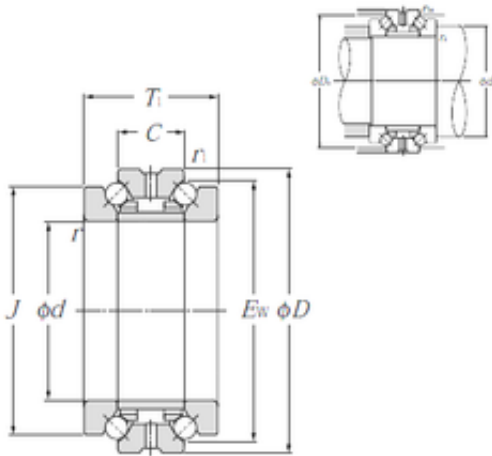




BEARING USA CORP.

NTN 562021M Ball bearing

Bearing No. 562021M



562021M Bearing 2D drawings and 3D CAD models

Bore Diameter	109 mm
Outer Diameter	146 mm
d	109 mm
D	160 mm
Ew	146 mm
T1	66 mm
C	33 mm
ra1 max.	1 mm
r min.	2 mm
r1 min.	1 mm
J	142 mm
da min.	127 mm
Da max.	152 mm
ra max.	2 mm
Weight	3,7 Kg
Basic dynamic load rating (C)	78,5 kN
Basic static load rating (C0)	266 kN
(Grease) Lubrication Speed	2 600 r/min