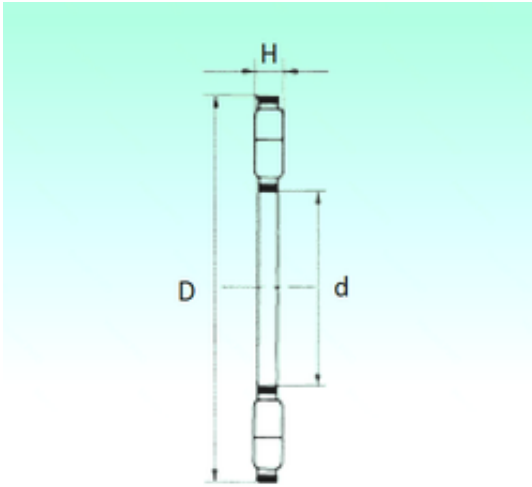




BEARING USA CORP.



NBS K89440-M Axial roller bearing

Bearing No. K89440-M

Bore Diameter	200 mm
Outer Diameter	400 mm
d	200 mm
D	400 mm
Dw	40 mm
Weight	16,2 Kg
Basic dynamic load rating (C)	2699,1 kN
Basic static load rating (C0)	10198,5 kN

K89440-M Bearing 2D drawings and 3D CAD models