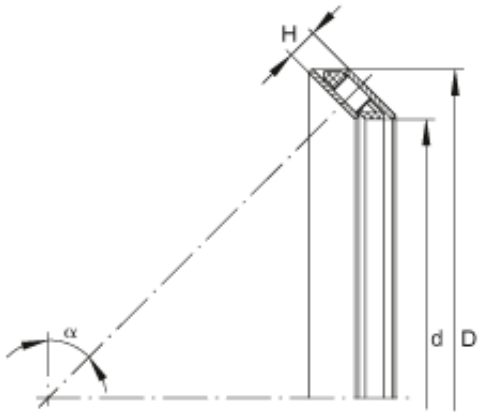




# BEARING USA CORP.

## INA AXS1220 Axial roller bearing

Bearing No. AXS1220



AXS1220 Bearing 2D drawings and 3D CAD models

Size	12x20x3 mm
Bore Diameter	12 mm
Outer Diameter	20 mm
Width	3 mm
d	12 mm
D	20 mm
H - 3 mm / Tolerance: -0,24 / -0,44	3 mm / Tolerance: 0,24 / 0,44
$D_a$ - 12,2 mm / Tolerance: -0,05 / -0,15	12,2 mm / Tolerance: 0,05 / 0,15
$d_a$	20,2 mm / Tolerance: +0,15 / +0,05
	60 ° / Angle 60 °
m	3 g / Weight
$C_a$	3400 N / Dynamic load rating (axial)