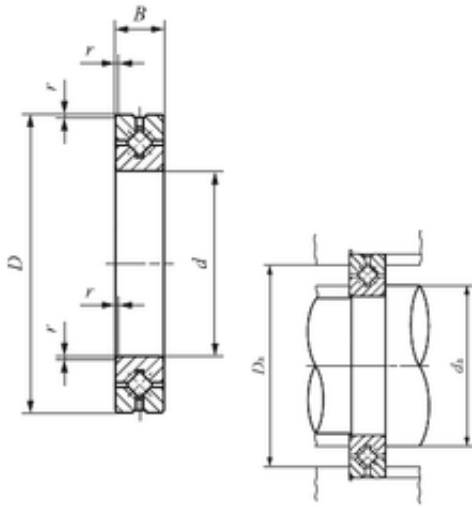




BEARING USA CORP.

130 mm x 190 mm x 25 mm IKO CRBH 13025
A Axial roller bearing

Bearing No. CRBH 13025 A



CRBH 13025 A Bearing 2D drawings and 3D CAD models

Size	130x190x25 mm
Bore Diameter	130 mm
Outer Diameter	190 mm
Width	25 mm
d	130 mm
D	190 mm
B	25 mm
r min.	1 mm
Da	178 mm
da	142 mm
Weight	2,82 Kg
Basic dynamic load rating (C)	75,9 kN