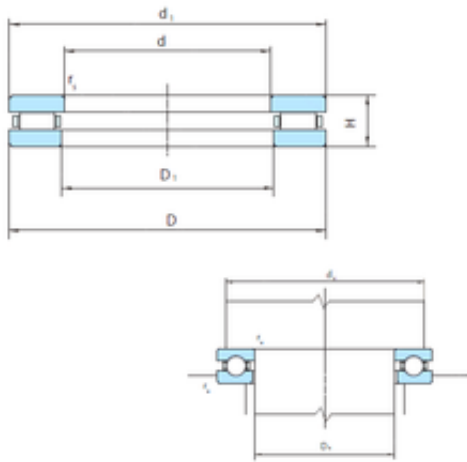




BEARING USA CORP.

PSL 81176 Axial roller bearing

Bearing No. 81176



81176 Bearing 2D drawings and 3D CAD models

Size	380x460x65 mm
Bore Diameter	380 mm
Outer Diameter	460 mm
Width	65 mm
d	380 mm
D	460 mm
H	65 mm
d1	384 mm
r min.	2 mm
Weight	23,6 Kg
Basic dynamic load rating (C)	891 kN
Basic static load rating (C0)	4730 kN