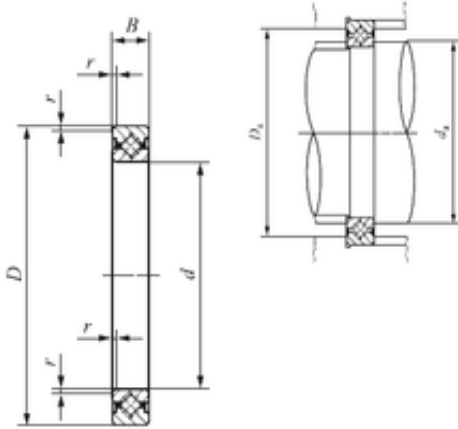




# BEARING USA CORP.

## 200 mm x 226 mm x 13 mm IKO CRBS 20013 Axial roller bearing

Bearing No. CRBS 20013



CRBS 20013 Bearing 2D drawings and 3D CAD models

Size	200x226x13 mm
Bore Diameter	200 mm
Outer Diameter	226 mm
Width	13 mm
d	200 mm
D	226 mm
B	13 mm
r min.	0.6 mm
Da	219 mm
da	206 mm
Weight	0,78 Kg
Basic dynamic load rating (C)	22,5 kN