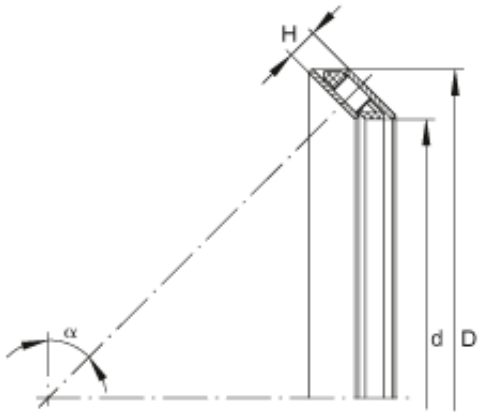




# BEARING USA CORP.

## INA AXS140154 Axial roller bearing

Bearing No. AXS140154



AXS140154 Bearing 2D drawings and 3D CAD models

Size	140x154x6 mm
Bore Diameter	140 mm
Outer Diameter	154 mm
Width	6 mm
d	140 mm
D	154 mm
H	6 mm / Tolerance: +0,26 / +0,06
$D_a$ - 140,2 mm / Tolerance: -0,15 / -0,25	140,2 mm / Tolerance: 0,15 / 0,25
$d_a$	153,8 mm / Tolerance: +0,25 / +0,15
	60 ° / Angle 60 °
m	90 g / Weight
$C_a$	36000 N / Dynamic load rating (axial)