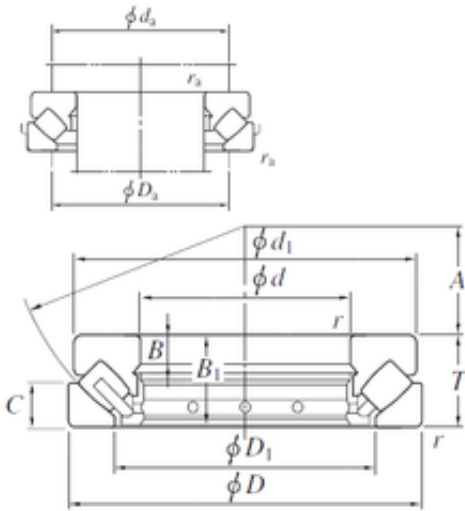




# BEARING USA CORP.

## 530 mm x 800 mm x 54 mm KOYO 293/530 Axial roller bearing

Bearing No. 293/530



293/530 Bearing 2D drawings and 3D CAD models

Size	530x800x160 mm
Bore Diameter	530 mm
Outer Diameter	800 mm
Width	160 mm
d	530 mm
D	800 mm
T	160 mm
d1	772 mm
r min.	75 mm
A	295 mm
B	54 mm
B1	154 mm
C	76 mm
D1	648 mm
da min.	650 mm
Da max.	715 mm
ra max.	6 mm
Weight	285 Kg
Basic dynamic load rating (C)	4790 kN