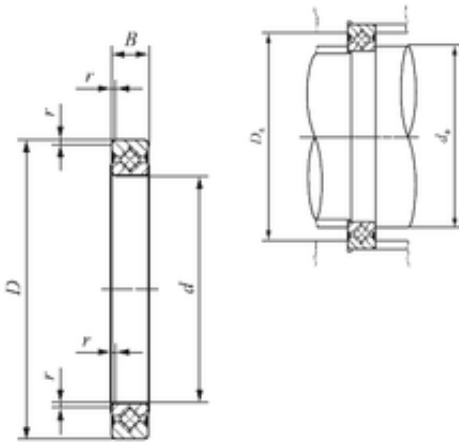




BEARING USA CORP.

70 mm x 86 mm x 8 mm IKO CRBS 708 A UU Axial roller bearing

Bearing No. CRBS 708 A UU



CRBS 708 A UU Bearing 2D drawings and 3D CAD models

Size	70x86x8 mm
Bore Diameter	70 mm
Outer Diameter	86 mm
Width	8 mm
d	70 mm
D	86 mm
B	8 mm
r min.	0.4 mm
Da	81 mm
da	74 mm
Weight	0,108 Kg
Basic dynamic load rating (C)	5,74 kN